

### FEATURES

Piher's AA series offers a wide range of Variable Attenuators available in five different industry standard dust proof packages: AA-01, AA-02, AA-03, AA-04 and AA-05. Designed for use in VHF/UHF applications such as CATV network/distribution amplifiers, above all, this attenuator series has been built to offer flexibility at a competitive price with the advantage of being a "One design-Multiple use" product allowing its incorporation in to different circuits without the need of modification, unlike digital alternatives which are dependent on circuit supply voltage and power dissipation demands for their design.

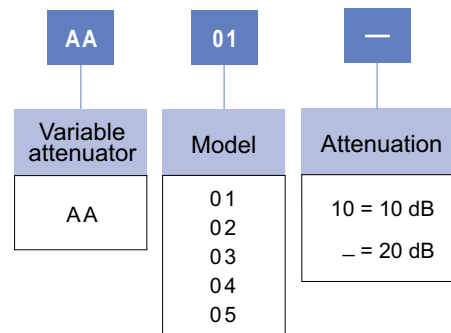
### ELECTRICAL & MECHANICAL SPECIFICATIONS

	AA-0x
Impedance*	75Ω
Operating Freq	800 Mhz
SWR: F < 300Mhz 300Mhz ≤ F < 800Mhz	< 1.4 < 2
Attenuation: 10dB 20dB	< 0.5dB...20dB +6/-4 < 0.5dB...10dB +4/-2
Operating Temp**	-25°C, +70°C (-13°F, +158°F)
N° of Turns:	3 <sup>-0.3</sup>
Torque:	0.5 to 3 Ncm.

\* Others upon request

\*\* Up to 85°C depending on application

### HOW TO ORDER



### HOW TO ORDER CUSTOM DRAWING

AA-01 + DRAWING NUMBER (Max. 16 digits)

This way of ordering should be used for options which are not included in the "How to order" standard and optional extras.

### STANDARD OPTIONS

Attenuation ..... 20 dB  
 Shaft Colour ..... AA-0x Red

### PACKAGING

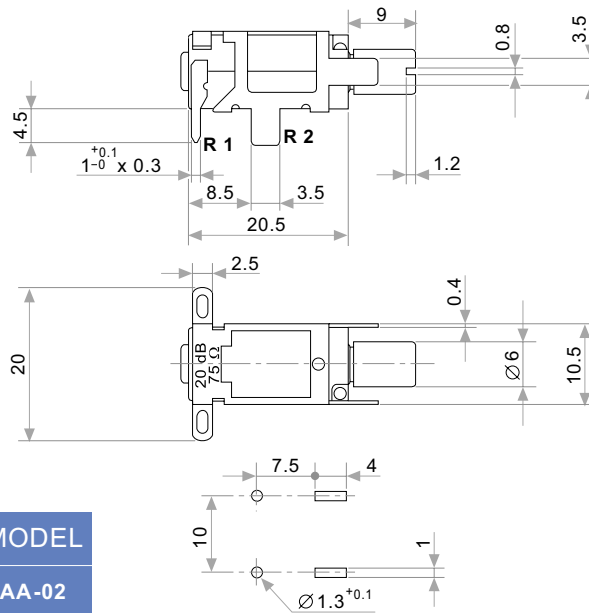
AA-01 & AA-05: 400 pieces in box of 270 x 170 x 100  
 AA-02, AA-03 & AA-04: 200 pieces in tray of 370 x 225 x 40

NOTE: The information contained here in may be changed without prior notice.

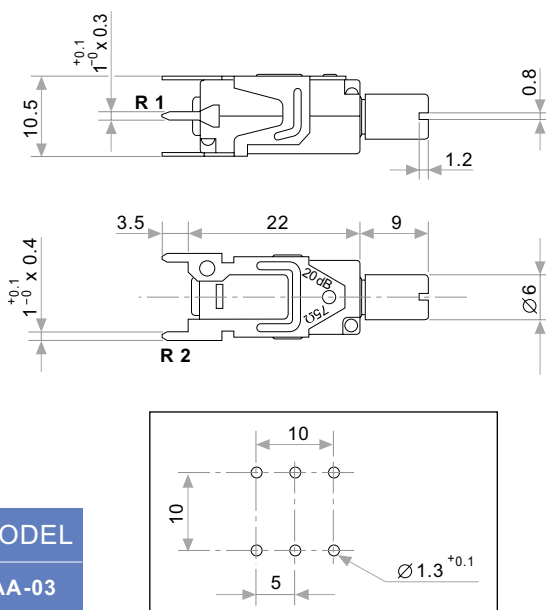
# MODELS



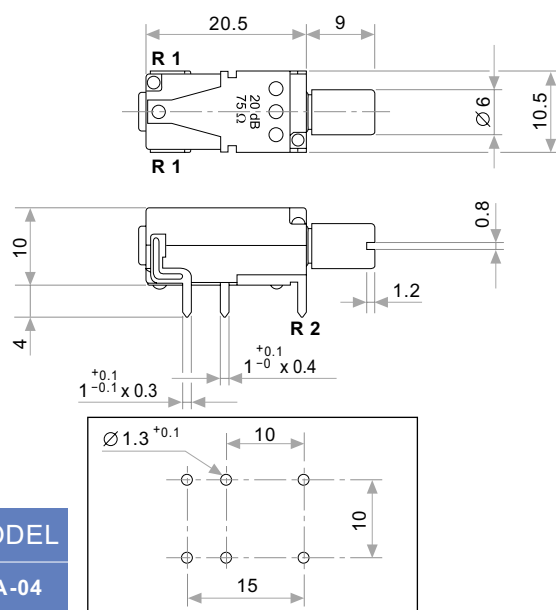
**MODEL**  
**AA-01**



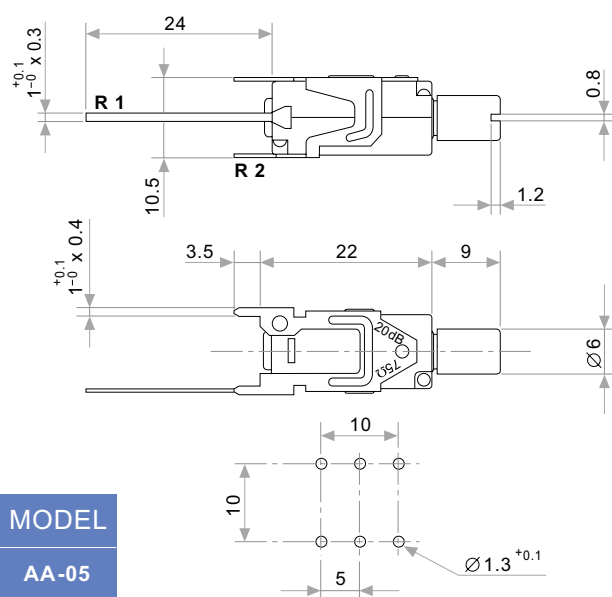
**MODEL**  
**AA-02**



**MODEL**  
**AA-03**



**MODEL**  
**AA-04**



**MODEL**  
**AA-05**

